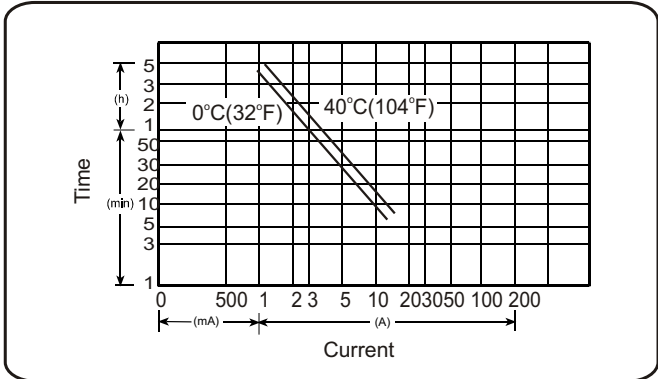


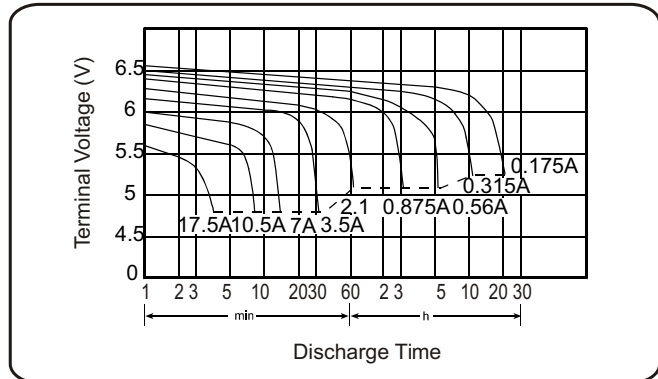
SPECIFICATION

NOMINAL VOLTAGE	: 6 V
NOMINAL CAPACITY(20 hr)	: 3.5 Ah
DIMENSIONS	
TOTAL HEIGHT	: 57.5 mm (2.26 inches)
CONTAINER HEIGHT	: 50.5 mm (1.99 inches)
LENGTH	: 195 mm (7.68 inches)
WIDTH	: 24.5 mm (0.96 inches)
WEIGHT	: APPROX 0.75 Kg (1.65 lbs)
CONTAINER MATERIAL	: UL94HB ABS
	: UL94V-0 ABS
INTERNAL RESISTANCE(25°C , 77 °F)	: ~16 mΩ
DISCHARGE CAPACITY UNDER DIFFERENT TEMPERATURES	
40°C	: ~102%
25°C	: ~100%
0 °C	: ~85%

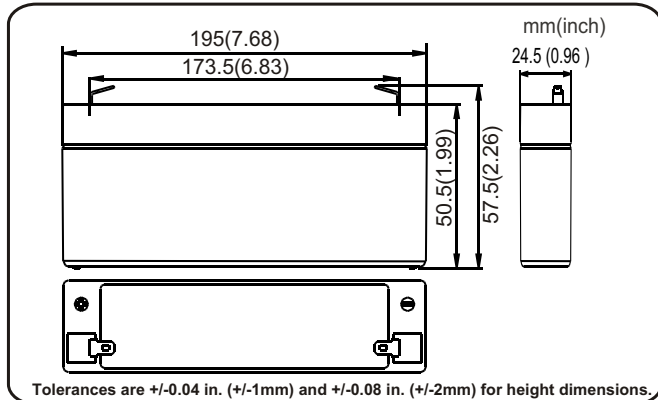
Discharge Current vs Time



Discharge Characteristics @25 °C (77 °F)



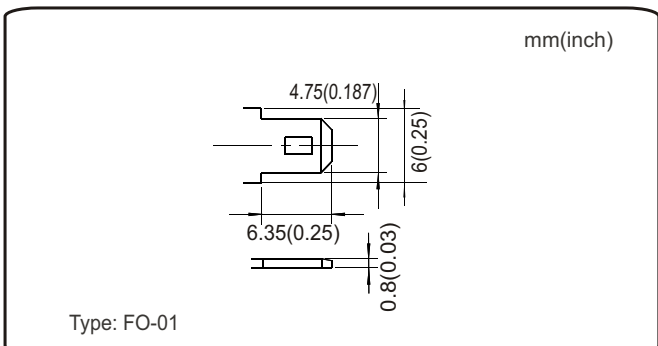
Dimensions



CHARACTERISTICS

CAPACITY 25°C / 68 °F	
20 hr @ 0.175 A	: 3.5 Ah
5 hr @ 0.56 A	: 2.8 Ah
1 hr @ 2.1 A	: 2.1 Ah
1 C @ 3.5 A	: 1.75Ah
CHARGING VOLTAGE (25°C , 77 °F)	
STANDBY USE	: 6.825V±0.075 V
CYCLE USE	: 7.35V±0.15 V
MAX DISCHARGE CURRENT : 40 A (5 sec)	
MAX CHARGING CURRENT : 1.05 A	
SELF-DISCHARGE RESIDUAL CAPACITY(25°C , 77 °F)	
AFTER 3 MONTHS	: ~90%
AFTER 6 MONTHS	: ~82%
AFTER 12 MONTHS	: ~70%

Terminal



SA635 is a general purpose battery with 3~5 years in standby service or more than 400 cycles at 50% depth of discharge in cycle service.



Web : www.sota.cc

Note: Specifications are subject to change without further notice.
SOTA ENERTECH INC.